

# Start and Run Your Boat's A/C on Battery/Inverter Power

## SoftStart Marine™ High-Performance Soft Starter Reduces Startup Amps, Uses Less Stored or Backup Power

### *Works Great with Inverters and Battery-Stored Power*

- Start two A/Cs\* on 30-amp shore power
- Start one A/C with a small generator
- Start one A/C on a 15-amp circuit

\* Requires one SoftStart Marine unit per air conditioner.

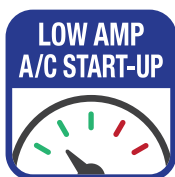
With SoftStart Marine, experience **Freedom!**

Freedom to venture into open waters or go island hopping while your family and friends can stay cool.

Freedom to run two A/Cs on just 30-amp shore power with two SoftStart Marine starters.

Never worry about a start-up power spike preventing you from using the A/C when you're using battery power through an inverter or a small generator.

Worry-free A/C comfort at last!



More A/C with less power!



Quiet comfort day and night



Compatible with boats worldwide



Online and LIVE install help available



High quality guaranteed

# SoftStartMarine™

## FEATURES AND BENEFITS

**Reduces startup power demand by up to 70%.** Delivers more efficient A/C startup with stored or generator power. Helps keep overall electrical power usage down.



**No more loud knocks, shaking or dim lights during startup.**

Reduces stress on A/C compressor; extends A/C life.

## COMPLETE SOFTSTART MARINE™ PACKAGE INCLUDES:

- SoftStart Marine™ Model SSM6T soft starter
- Universal accessory kit: wiring connectors, zip ties, hardware fasteners
- Instruction guide



## INSTALLATION / SUPPORT

### 1 DETERMINE A LOCATION

Find a good spot near the A/C unit. The soft starter should be securely, vertically installed on a vertical panel with wires at the bottom.



*Easily Installs Near A/C Unit  
(Location depends on A/C configuration.)*

### 2 FASTEN TO DESIRED LOCATION

Each SoftStart Marine unit comes complete with hardware fasteners, and is also equipped with a heavy-duty adhesive bonding pad to mount to most any type of surface.

### 3 GO ONLINE FOR WIRING DIAGRAMS, VIDEOS AND LIVE HELP

Get wiring diagrams specific to your boat at:

**INSTALLATION INSTRUCTIONS:**

**SoftStartMarine.com/support**

Other helpful links include:

**FAQ's:** [SoftStartMarine.com/support](http://SoftStartMarine.com/support)

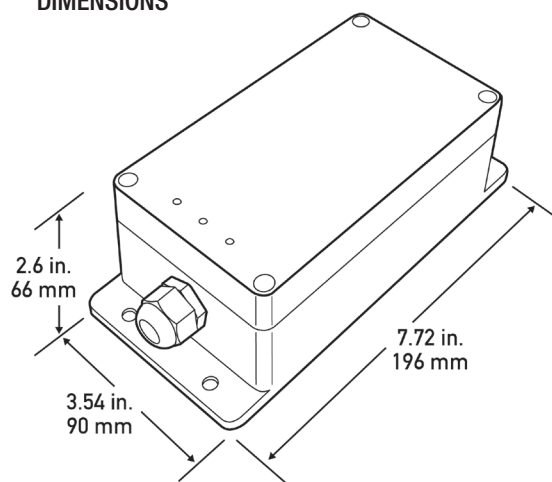
**TROUBLESHOOTING:** [SoftStartMarine.com/support](http://SoftStartMarine.com/support)

**SUPPORT TICKET:** [SoftStartMarine.com/support](http://SoftStartMarine.com/support)

## TECHNICAL SPECIFICATIONS – SOFTSTART MARINE A/C STARTER

|  |  |
|--|--|
| Model number:                                  | SSM6T  |
| Nominal working voltage:                       | 110VAC (90~135VAC) & 220VAC (187~266VAC), 1 phase                                      |
| Power consumption:                             | Less than 3W   |
| Maximum continuous working voltage:            | 135VAC/266VAC  |
| Maximum continuous working current:            | 42A  |
| Over current limit:                            | 50A/1 minute   |
| Maximum non-repetitive inrush current:         | 200A (<20 ms)  |
| Maximum surge current:                         | 130A (<350 ms)   |
| Soft start-up time:                            | 1±0.5s   |
| Current consumption:                           | 48mA (capacitive 110VAC, 220VAC)   |
| Operation hours:                               | More than 45,000 hours (rated working temperature)                                     |
| Effective soft start on/off service:           | >100,000 times (soft-start interval not less than 3 minutes)                           |
| Withstand voltage between housing and chassis: | >3000VAC in 1 minute   |
| Shock resistance:                              | More than 200m/s <sup>2</sup> and 11ms   |
| Anti-vibration:                                | 10~55mm (double amplitude, 1.5mm)  |
| Protection restart time interval:              | 3 minutes  |
| Working temperature:                           | -40°F to 185°F (-40°C to 85°C)   |
| Working humidity:                              | 0~95% RH   |
| Dimensions:                                    | 7.72 x 3.54 x 2.60 in.<br>(196 mm x 90 mm x 66 mm)                                     |
| Weight:  | 1 lb.13 oz. (0.82 kg)  |
| Warranty:                                      | One-year limited warranty (standard);<br>Three-year limited warranty (when registered) |

## DIMENSIONS



**SoftStartMarine™**

a product of  
**SoftStartUSA**

© 2023 SoftStartUSA, Florida, USA All rights reserved.  
Form No. SSM6TSS 10/23